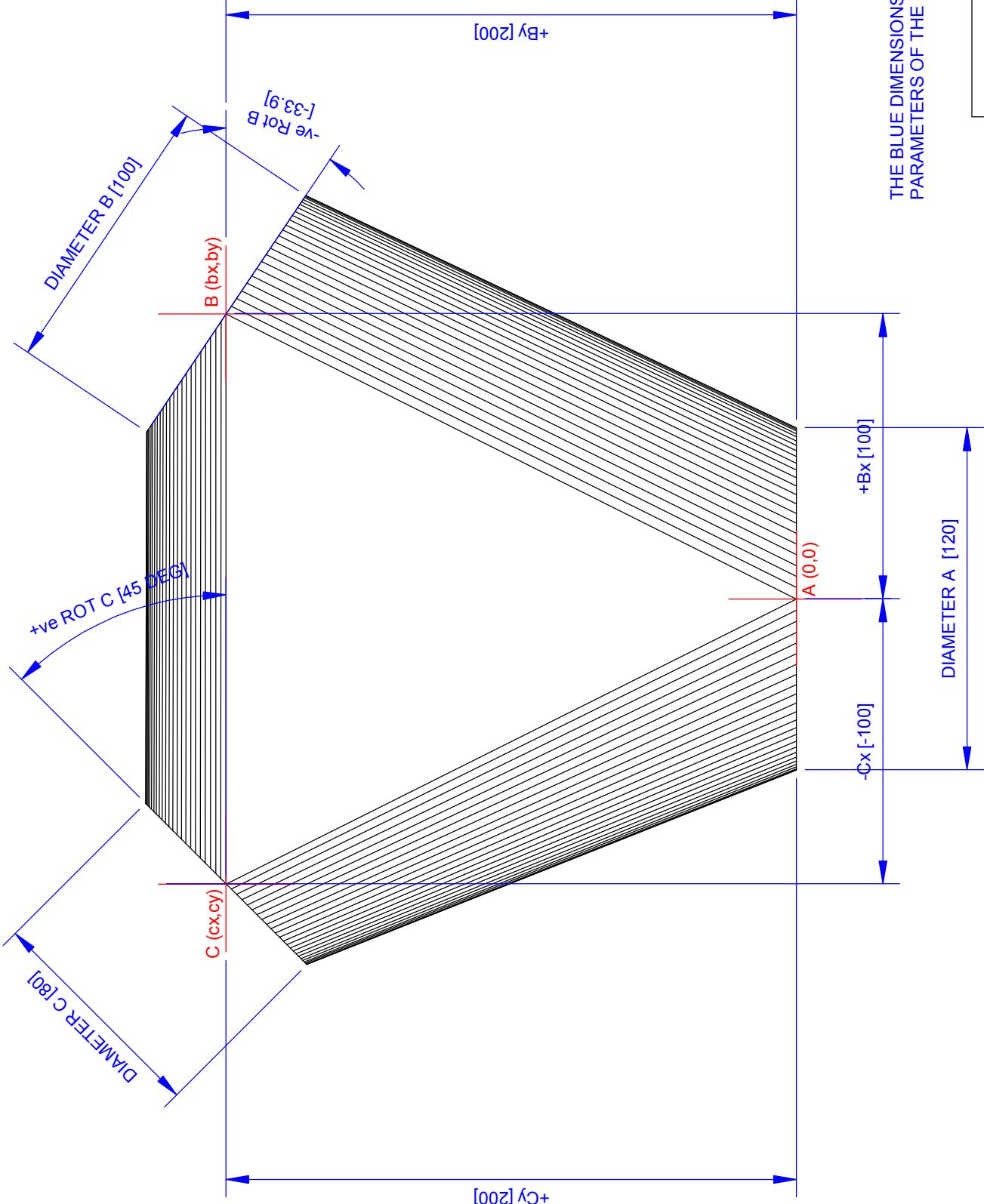


3D EXPORT FROM THE
BRANCH PIECE BETA 1
SOFTWARE



2D DXF EXPORT FROM THE
BRANCH PIECE BETA 1 SOFTWARE

SCALE 1:2 @ A4	Branch Piece Test 1
DRN. TH	DRAWING NUMBER BPTTEST1
DATE 08/01/09	

224

