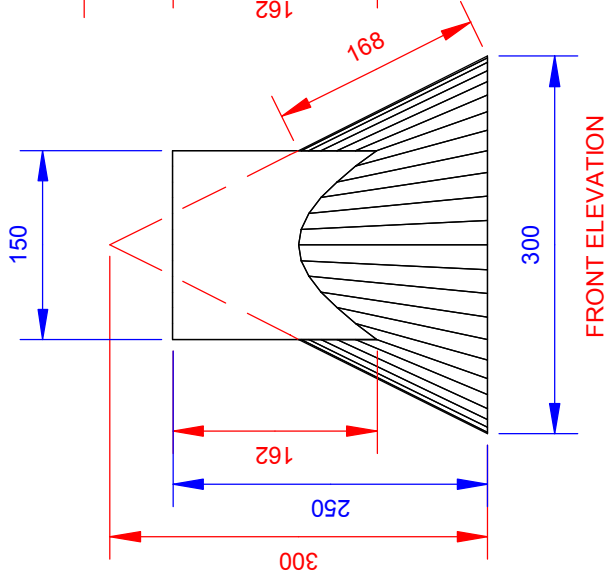


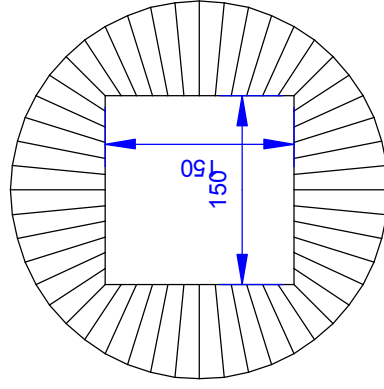
SIDE ELEVATION



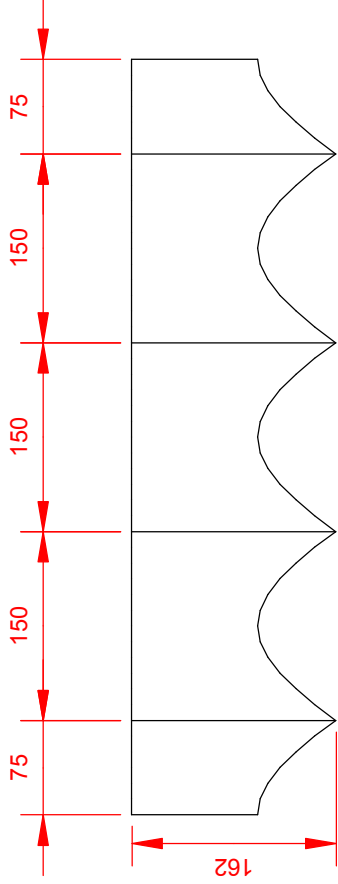
CoCu 3D EXPORTS



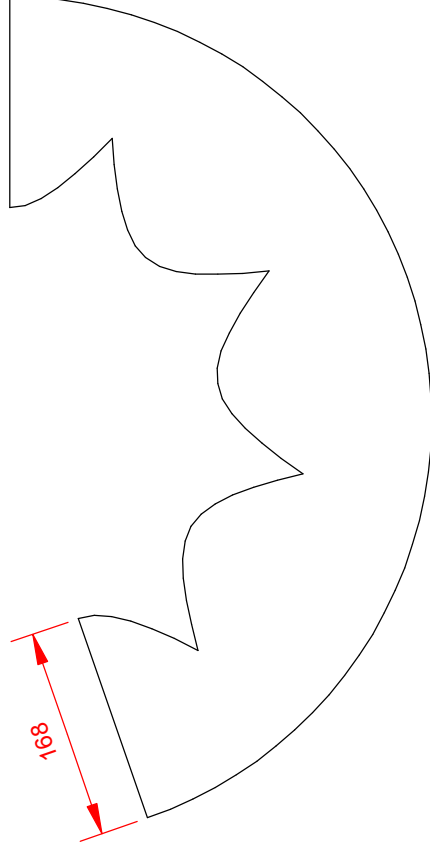
FRONT ELEVATION



PLAN

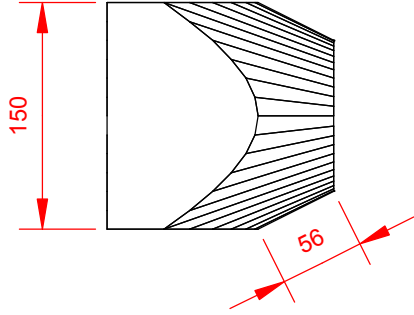


CUBOID PATTERN

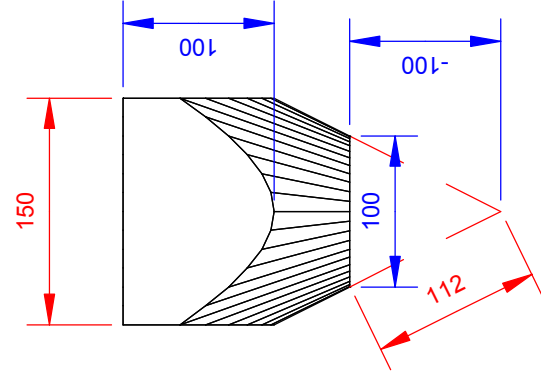


CONE PATTERN

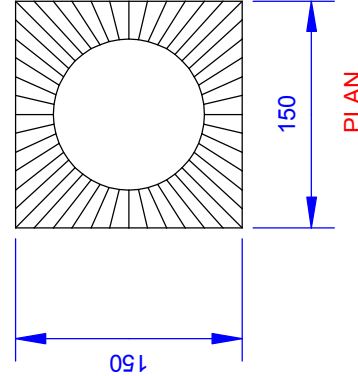
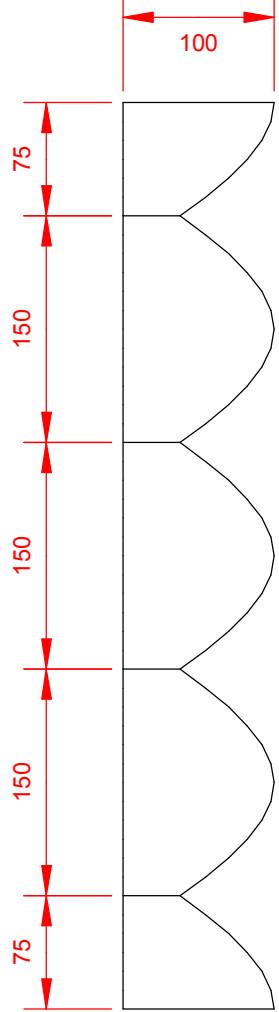
SIDE ELEVATION



FRONT ELEVATION



CUBOID PATTERN

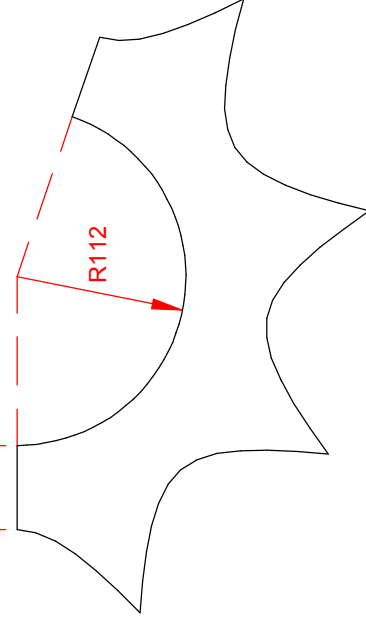


PLAN

R112



CONE PATTERN



CoCu 3D EXPORTS

TY HARNESS CONSULTING

www.tyharness.co.uk/sheetmetal

DIMENSIONS SHOWN IN BLUE ARE THE ONES NEEDED IN THE CONE TO CUBOID SOFTWARE

SCALE	1:5	Cone To Cuboid
DRN.	TH	DRAWING NUMBER
DATE	10/12/08	CTC2